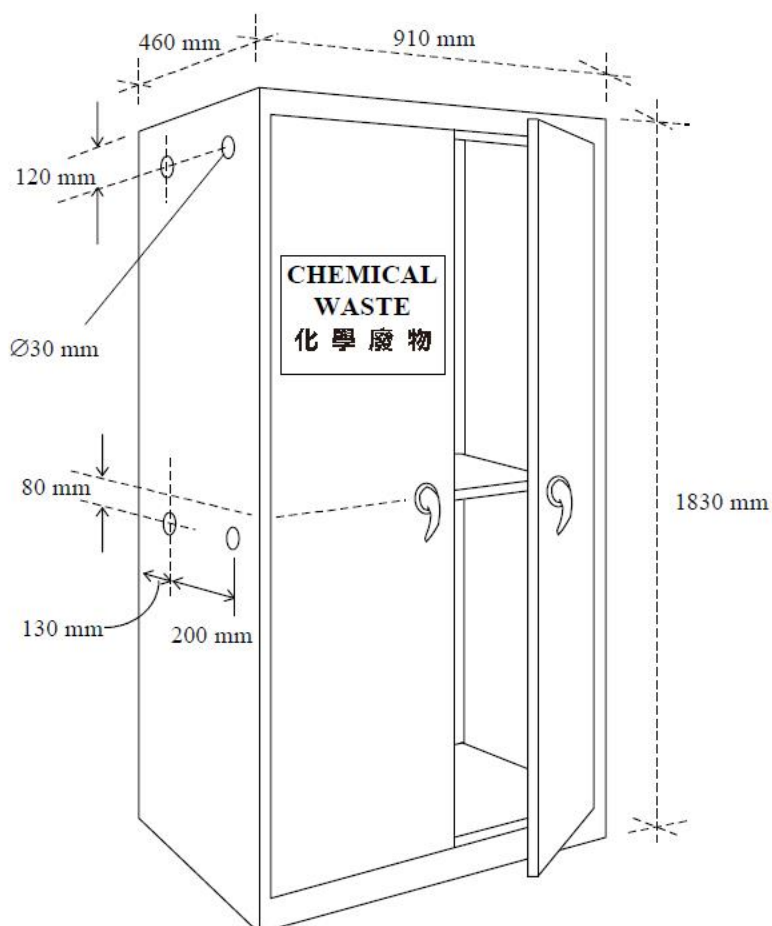


Sketch A

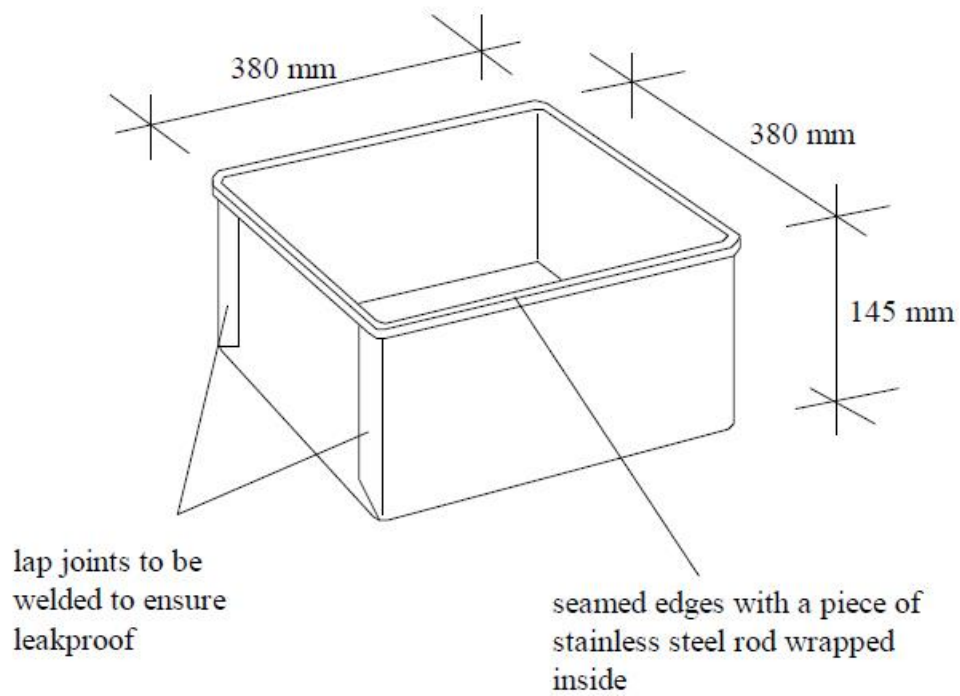
An Example of Chemical Waste Storage Cupboard



External Dimension	:	910 mm wide x 1830 mm high x 460mm deep
Doors and Sides	:	1.2 mm (minimum) thickness of steel
Ventilation Holes	:	4 holes of diameter 30mm on each side as shown
Marking	:	Words "CHEMICAL WASTE 化學廢物" should be printed clearly and boldly in red on a white background with letters/characters of not less than 60mm in height
Adjustable Shelf and Bottom	:	1.2 mm (minimum) thickness of steel, strengthened with two U-shape ribs welded along the width underneath the adjustable shelf and bottom of the cupboard, stiff and strong enough to stand the weight of at least 70 kilograms
Top and Back	:	0.7 – 0.8 mm thickness of steel
Finish	:	Rust proof with "FOSCOTE" or equivalent preparation and sprayed with three coats of cellulose lacquer

Sketch B

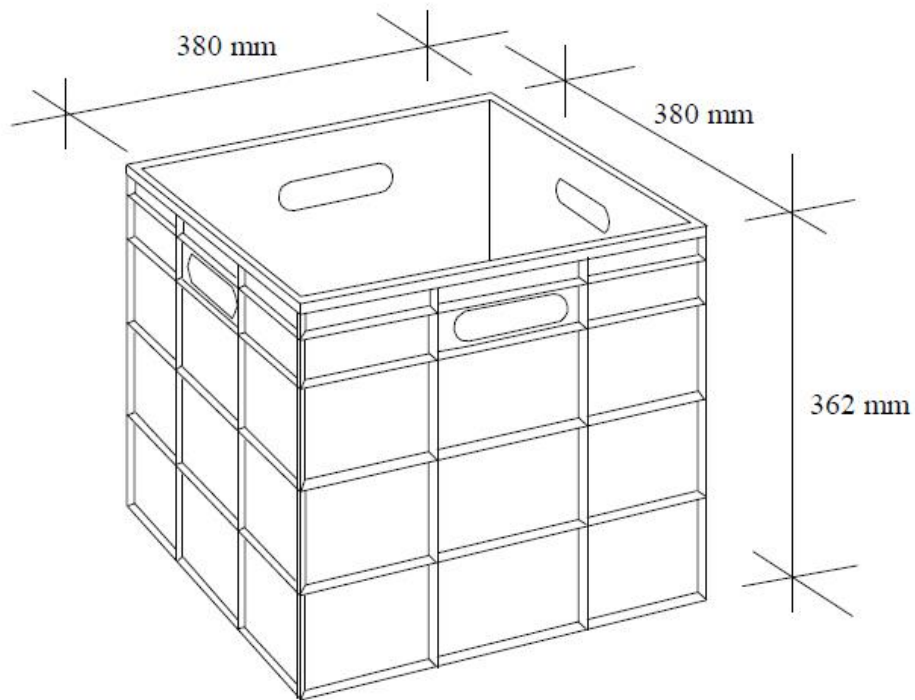
An Example of Stainless Steel Spill Catcher Tray



Overall dimension 380 mm x 380 mm x 145 mm, to be made of a SWG 24 stainless steel (type 316) sheet. All edges should be seamed with a piece of stainless steel rod (diameter 5 mm) to stiffen and avoid sharp edges. The lap joints should be welded to ensure that the whole tray is leak-proof.

Sketch C

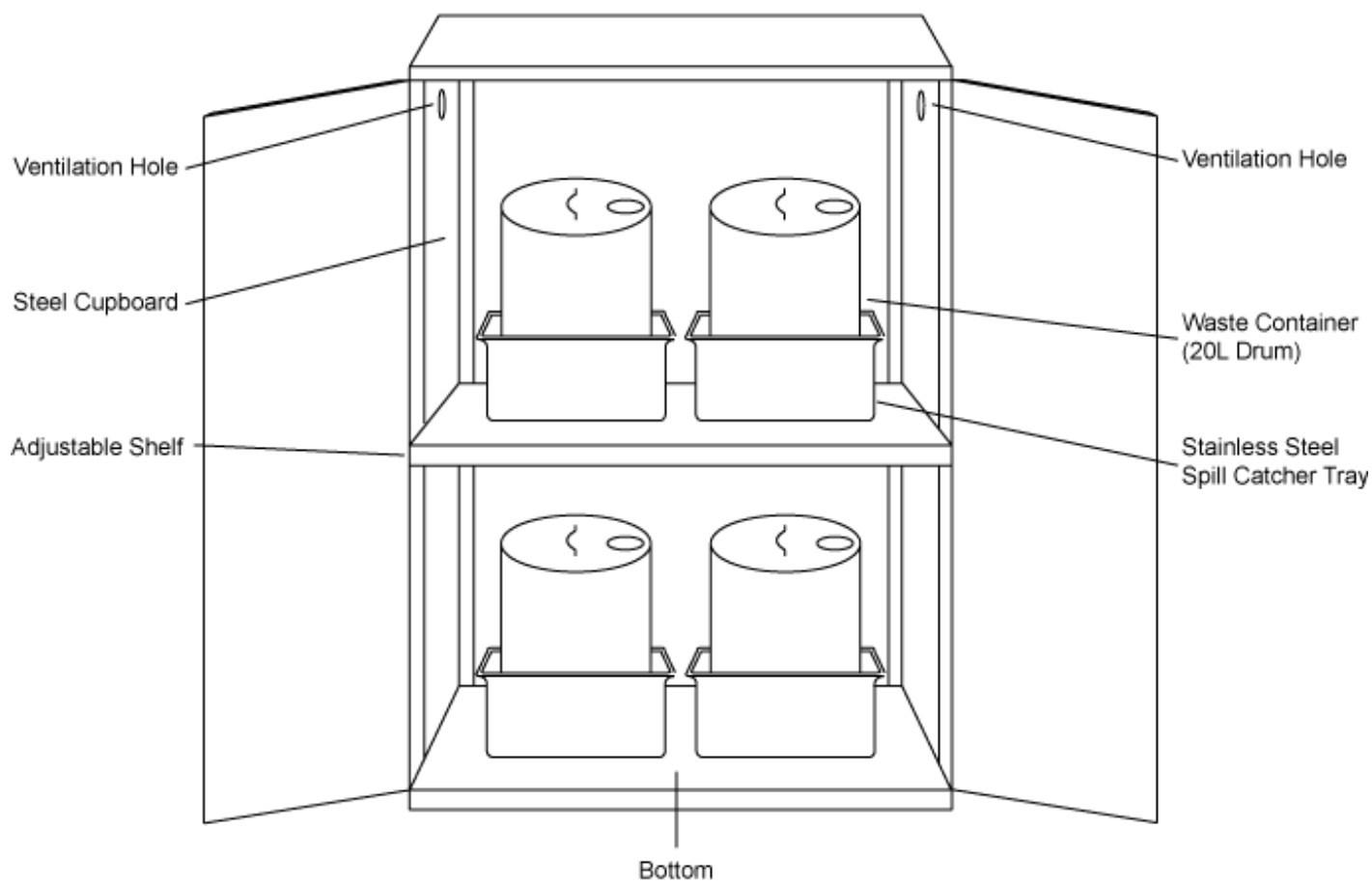
An Example of Heavy-Duty Plastic Spill Catcher Tray



Overall dimension: 380 mm x 380 mm x 362 mm

Sketch D

Storage of Organic Chemical Wastes



Sketch E

Storage of Inorganic Chemical Wastes

